



ES9016

Ultra 32-bit 8-Channel Audio DAC

Product Brief

OVERVIEW

The **ES9016 SABRE³² Ultra DAC** is a high-performance 32-bit, 8-channel audio D/A converter targeted for consumer applications such as Blu-ray player, audio pre-amplifier, A/V receiver and professional applications such as recording systems, mixer consoles and digital audio workstations.

With ESS patented 32-bit Hyperstream™ DAC architecture and Time Domain Jitter Eliminator, the **ES9016 SABRE³² Ultra DAC** delivers a DNR of 124dB and THD+N of -110dB, a performance level that will satisfy the most demanding audio enthusiasts.

The **ES9016 SABRE³² Ultra DAC's** 32-bit Hyperstream™ architecture can handle up to 32-bit PCM data via I²S input, as well as DSD or SPDIF data. The **ES9016 SABRE³² Ultra DAC** supports up to 384kHz PCM data via I²S as well as DSD-11.2MHz data and consumes less than 100mW.

The **SABRE³² Ultra DAC** sets a new standard for high quality audio performance, **SABRE SOUND™**, in a cost effective, easy-to-use form factor for today's most demanding digital audio applications.

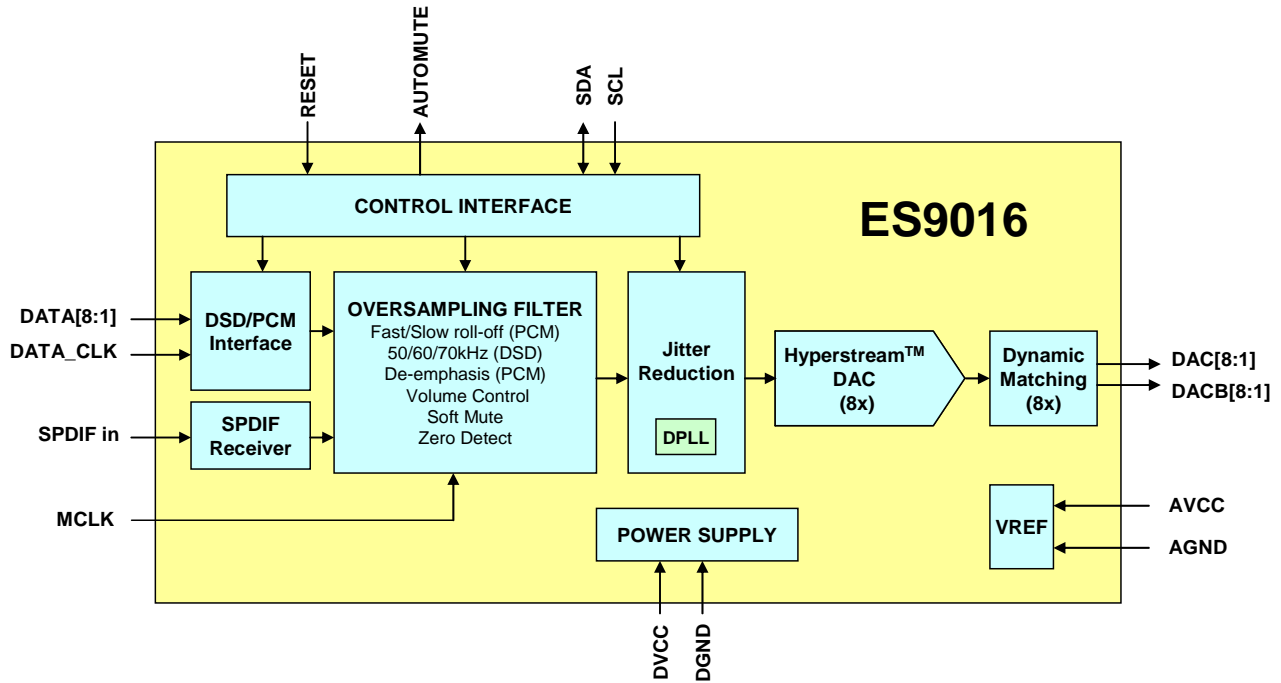
FEATURE	BENEFIT
DAC Resolution	○ 32-bit Patented Hyperstream™ DAC
Input Resolution	○ 32-bit
Jitter Elimination	○ Patented Time Domain Jitter Eliminator
64-bit accumulator and 32-bit processing	○ Distortion free signal processing
DNR	○ +124dB
THD+N	○ -110dB
Input Modes	○ SPDIF with 8-input MUX ○ PCM (I ² S, MSB/LSB) ○ DSD ○ External 8x Digital Filter
Digital Filter	○ 32-bit architecture ○ Selectable roll-off frequency ○ Per-channel user customizable
DSP Functions	○ Click-free soft mute and volume control ○ Programmable Zero detect ○ De-emphasis for 32kHz, 44.1kHz, and 48kHz sampling

APPLICATIONS

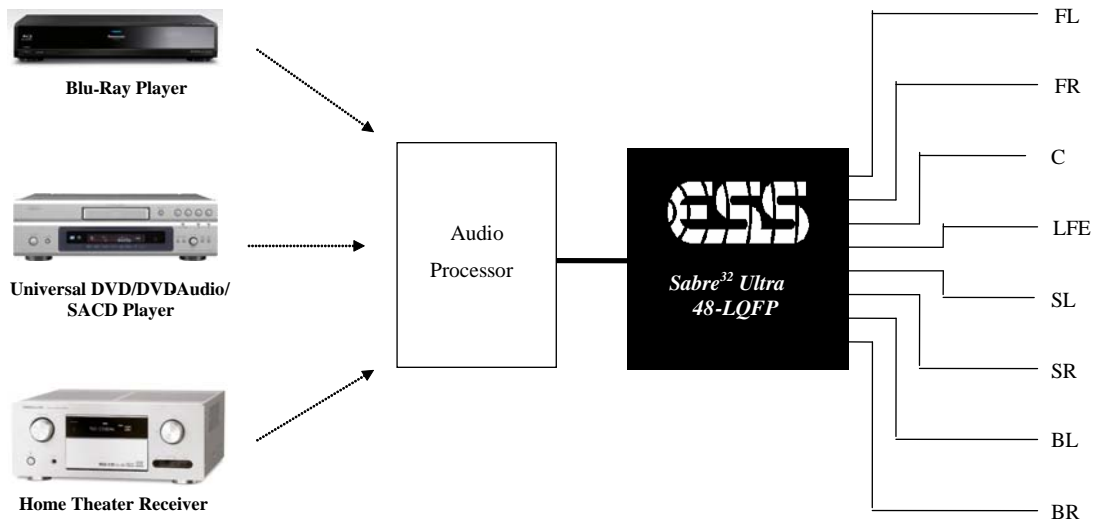
- Blu-ray / SACD / DVD-Audio player
- Audio preamplifier and receiver
- A/V processor
- Professional audio recording systems and mixing consoles
- Digital audio workstation



FUNCTIONAL BLOCK DIAGRAM



APPLICATION DIAGRAM



No part of this publication may be reproduced, stored in a retrieval system, transmitted, or translated in any form or by any means, electronic, mechanical, manual, optical, or otherwise, without the prior written permission of ESS Technology, Inc. ESS Technology, Inc. makes no representations or warranties regarding the content of this document. All specifications are subject to change without prior notice. ESS Technology, Inc. assumes no responsibility for any errors contained herein. U.S. patents pending.