



SABRE9006A

Premier 8-Channel Audio DAC

Product Brief

OVERVIEW

The Sabre Premier (SABRE9006A) High Performance Audio DAC is an 8-Channel audio DAC that brings true professional digital audio to the consumer home entertainment market.

Using ESS's patented Hyperstream™ architecture and patented Time Domain Jitter Eliminator, the Sabre Premier Audio DAC delivers studio quality audio with 120dB DNR and -102dB THD+N to digital audio applications such as Blu-ray, SACD, DVD-Audio, DVD, CD, home theatre, set top boxes and digital TV.

The Sabre Premier's flexible input architecture accepts serial 16-24 bit serial PCM data to 192kHz sample rate, 16-24 bit SPDIF data up to 96kHz sampling rate, or DSD data supporting native SACD audio.

The Sabre Premier DAC sets a new standard for high-quality audio performance in a cost-effective, compact, easy to use form factor for today's most demanding digital audio applications.

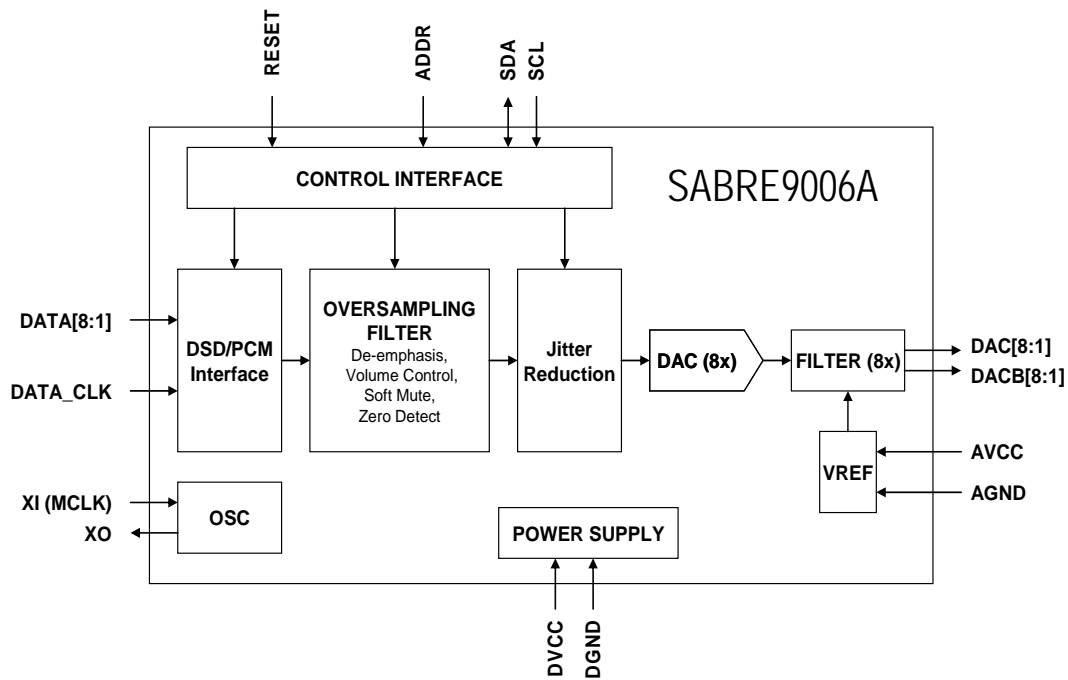
FEATURE	DESCRIPTION
Patented HyperStream™ Architecture <ul style="list-style-type: none"> ○ DNR: +120dB ○ THD+N: -102dB 	<ul style="list-style-type: none"> ○ Unprecedented dynamic range and low distortion allowing true reproduction of audio as it is mastered at the recording studio
Patented Time Domain Jitter Reduction	<ul style="list-style-type: none"> ○ Unmatched audio clarity free from input clock jitter allowing simple system design and layout
51-bit Accumulator and 28-bit Processing	<ul style="list-style-type: none"> ○ Distortion free signal processing
Auto-detect PCM / DSD Converter	<ul style="list-style-type: none"> ○ Universal (e.g. DVD / SACD) audio playback
8-channel DAC in 48-LQFP	<ul style="list-style-type: none"> ○ Reduces PCB footprint and simplifies board layout
Low power (100mW for 8 channels)	<ul style="list-style-type: none"> ○ Simplifies power supply design
Universal Digital Input	<ul style="list-style-type: none"> ○ All-digital SPDIF, PCM (I²S, MSB/LSB justified 16-, 20- or 24-bit) or DSD input
Integrated DSP functions	<ul style="list-style-type: none"> ○ Click-free soft mute and volume control ○ Programmable filter characteristics for PCM / DSD ○ Programmable Zero detect ○ De-emphasis for 32kHz, 44.1kHz, and 48kHz sampling

APPLICATIONS

- Blu-ray players
- SACD / DVD-Audio players
- Audio receivers
- Home theater receivers
- Professional audio equipment



FUNCTIONAL BLOCK DIAGRAM



No part of this publication may be reproduced, stored in a retrieval system, transmitted, or translated in any form or by any means, electronic, mechanical, manual, optical, or otherwise, without the prior written permission of ESS Technology, Inc. ESS Technology, Inc. makes no representations or warranties regarding the content of this document. All specifications are subject to change without prior notice. ESS Technology, Inc. assumes no responsibility for any errors contained herein. U.S. patents pending.