



DESCRIPTION

The ES4810 Digital Audio Processor (DAP™3) is an SOC chip designed for Audio Boom-Box and Mini-Combo applications. It integrates a servo controller, RF amplifier, servo DSP, MP3 and WMA decoders, USB 2.0 Driver, 2 channels audio DAC, 2 channels of audio ADC for Karaoke, SD/MS/MMC card reader and MP3 encoder. The ES4810 has the largest feature set and is the most highly integrated and cost-effective solution currently available.

The ES4810 provides auxiliary control pins for AM/FM tuner control, LCD driver and system management. The ES4810's internal RISC processor can be used in place of a microcontroller to provide all system controls and user interface.

The ES4810 digital audio processor is available in a 208-pin Low-Profile Quad Flat Pack (LQFP) device package.

FEATURES

- CD Optical loader with integrated servo controller and RF amplifier.
- Disc format supports CD-R/RW, CD.
- File system supports ISO9660, UDF, NTFS, and FAT32.
- Audio DSP decodes MP3, WMA, AAC, and OGG. Can also encode MP3 and store into USB flash or memory cards.
- USB 2.0 FS to support USB flash drive for music playback.
- Digital audio SPDIF In and Out.
- VDAC for file browsing and management.
- 2-channel audio DAC, 2-channel ADC.
- 2-channel PWM supports class D digital amplifiers.
- SD/MMC/MS card reader interface.
- Audio equalizer and bass enhancement support.
- LCD panel control and FM/AM tuner control.
- Serial UART port.
- 1.5V power supply with 3.3V tolerant I/Os, power consumption < 1W.
- Lead-free leads.

SYSTEM BLOCK DIAGRAM

A sample system block diagram for the ES4810 digital audio board design is shown in Figure 1.

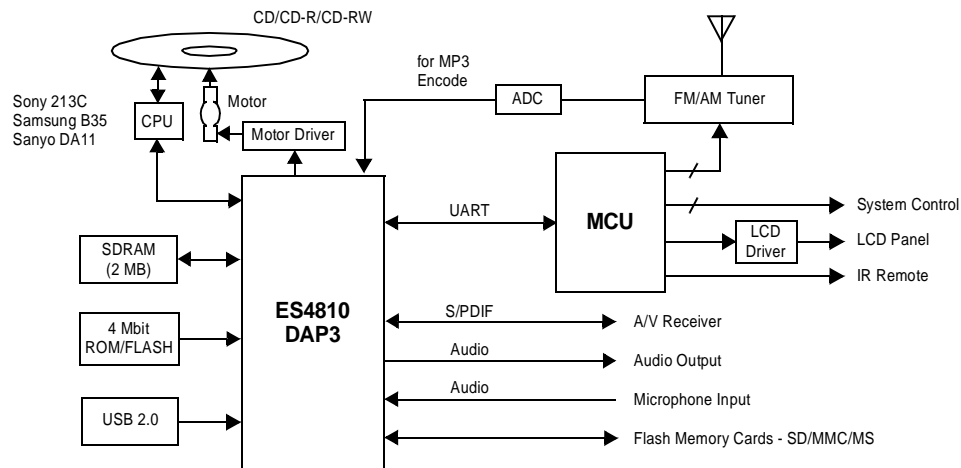


Figure 1 ES4810 System Block Diagram

ORDERING INFORMATION

Part Number	Description	Package
ES4810SAA	Digital Audio Processor	208-pin LQFP

The first letter S in the part number identifies the package type LQFP.



ESS Technology, Inc.
48401 Fremont Blvd.
Fremont, CA 94538
Tel: (510) 492-1088
Fax: (510) 492-1898

No part of this publication may be reproduced, stored in a retrieval system, transmitted, or translated in any form or by any means, electronic, mechanical, manual, optical, or otherwise, without the prior written permission of ESS Technology, Inc.

ESS Technology, Inc. makes no representations or warranties regarding the content of this document.

All specifications are subject to change without prior notice.

ESS Technology, Inc. assumes no responsibility for any errors contained herein.

U.S. patents pending.

MPEG is the Moving Picture Experts Group of the ISO/IEC. References to MPEG in this document refer to the ISO/IEC JTC1 SC29 committee draft ISO 11172 dated January 9, 1992.

Vibratto, SmartBright, SmartLogo, SmartColor, and Music Slideshow are trademarks of ESS Technology, Inc.

Dolby is a trademark of Dolby Laboratories, Inc.

Trusurround, Trusurround XT, SRS, and (o) symbol are trademarks of SRS Labs., Inc.

All other trademarks are trademarks of their respective companies and are used for identification purposes only.