



Analog Reinvented

ES9840 32-bit High-Performance 4-Channel ADC Product Brief

The Sabre ES9840 is a 32-bit analog-to-digital (A/D) converter targeted for professional audio applications such as recording systems, mixer consoles and digital audio workstations (DAW), test equipment, instruments, audio processors, digital turntables, and consumer applications.

The Sabre ES9840 has 4 integrated ADCs which use the ESS proprietary 32-Hyperstream II™ ADC Architecture, which delivers unprecedented audio sound quality and specifications, including a DNR of +118dB in mono mode and a DNR of +116dB, THD+N of 108dB in 4 channel mode.

The SABRE ADC supports synchronous S/PDIF, I2S master/slave, or native DSD output.

The ES9840 comes in a small compact package and consumes less than 155mW @ 48kHz

The ES9840 is able to use preprogramed filter coefficients to match perfectly with the SABRE PRO Series of DACs including the ES9038PRO. These complimentary filters allow for analog-digital-analog processing with the upmost audio fidelity and minimized time-domain smearing.

The Audio Signal Processor (ASP) integrated in the ADC allows for custom filtering such as RIAA presets to be implemented in the ADC, eliminating the need for re-processing later in the signal path.

The ES9840 has an Ultra-Low Noise Floor Bandwidth of 200kHz. This bandwidth is up to 10 times wider than the competition, enabling higher resolution at higher sample rates.

FEATURE	DESCRIPTION
+116dB DNR per channel +118dB DNR in mono mode -108dB THD+N per channel	Unprecedented dynamic range and ultra-low distortion
High Sample Rates	Up to PCM 768kHz and Up to DSD512
Audio Signal Processors (ASP)	Available for custom FIR filters for any applications
Multiple Output formats available	PCM, TDM, DSD, S/PDIF
Customizable filter characteristics	8 presets of digital optimal filters 2 audio signal processors for custom filter architectures and analog/digital mixing
I2C or SPI interface control	Configured by microcontroller or other serial interface source
Integrated low noise ADC reference regulators	Reduced BOM cost, PCB area and improved DNR if required
Low Power Consumption	Simplifies power supply design
Low Pin Count standardized Packaging	5mm x 5mm, 40 pin QFN
Ultra-Low Noise Floor Bandwidth	200kHz bandwidth enabling higher resolution at higher sample rates

APPLICATIONS

- Professional digital audio workstations Audio Recording
- Very high quality microphones
- High Quality Record Turntable to USB conversion



Functional Block Diagram

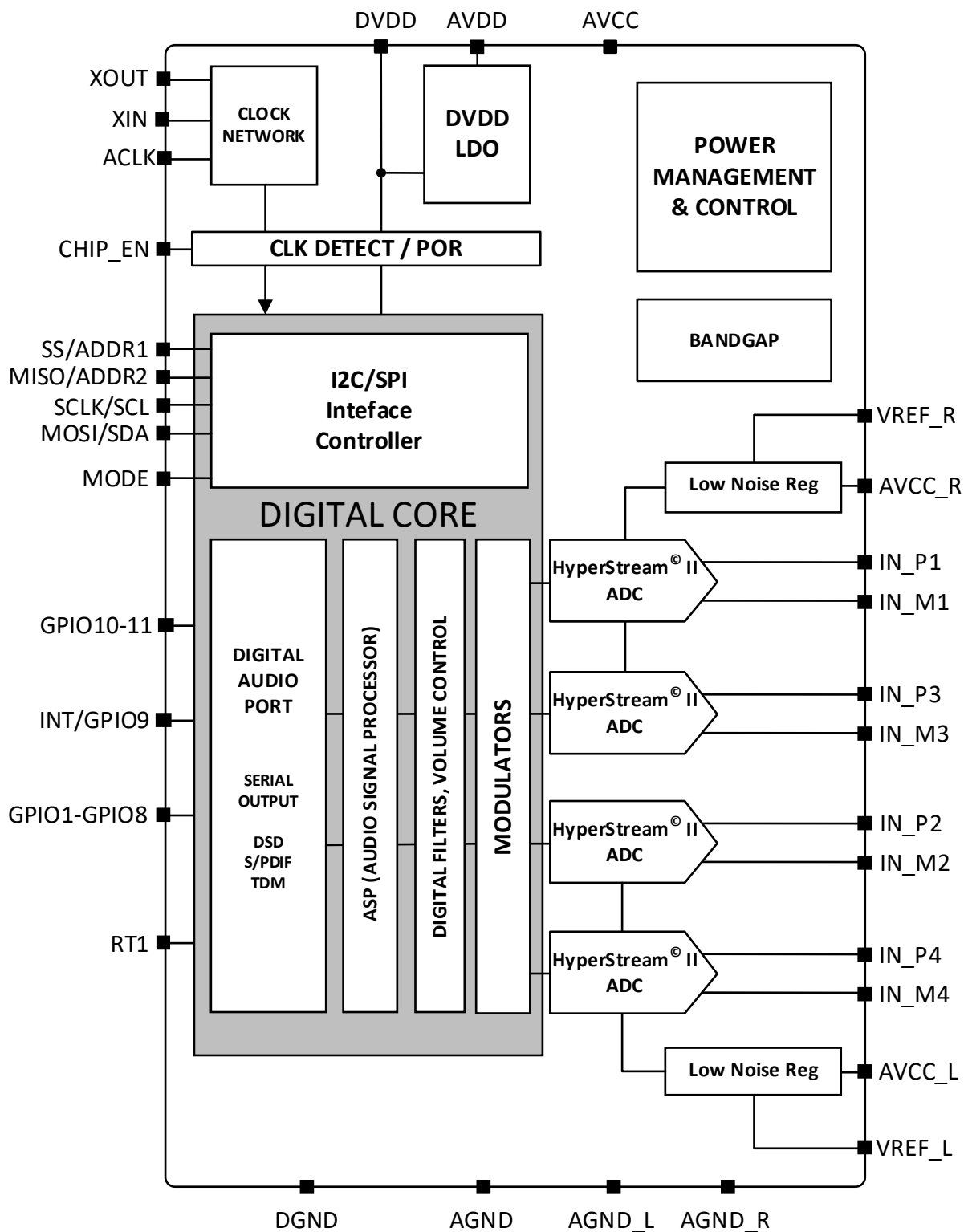
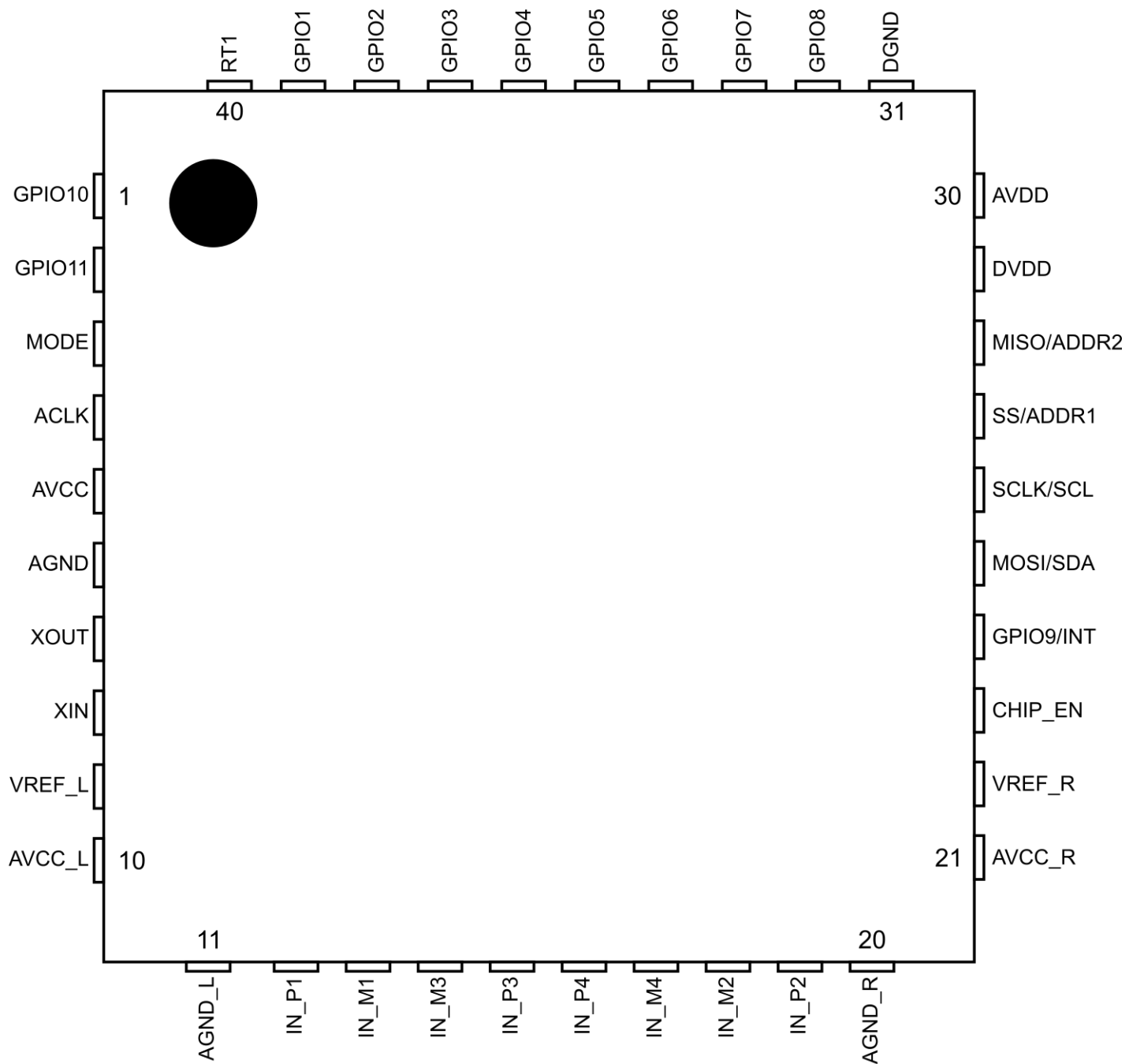


Figure 1. ES9840 Block Diagram



ES9840 Pinout



ES9840Q
(Top View)



40 QFN Pin Descriptions

Pin	Name	Pin Type	Reset State	Pin Description
1	GPIO10	I/O	HiZ	General I/O w/extended functions
2	GPIO11	I/O	HiZ	General I/O w/extended functions
3	MODE	I/O	HiZ	I2C or SPI Control selection
4	ACLK	AI	HiZ	Auxiliary Clock Input
5	AVCC	Power	Power	3.3V Supply
6	AGND	Ground	Ground	Analog Ground
7	XOUT	AO	HiZ	Crystal Output
8	XIN	AI	HiZ	Crystal Input/Oscillator Input
9	VREF_L	Power	Power	Low Noise reference for on-chip regulator, left side
10	AVCC_L	Power	Power	ADC reference voltage (internally generated), or 3.3V Supply
11	AGND_L	Ground	Ground	Analog Ground
12	IN_P1	AI	HiZ	ADC Channel 1 differential positive (+) input
13	IN_M1	AI	HiZ	ADC Channel 1 differential negative (-) input
14	IN_M3	AI	HiZ	ADC Channel 3 differential negative (-) input
15	IN_P3	AI	HiZ	ADC Channel 3 differential positive (+) input
16	IN_P4	AI	HiZ	ADC Channel 4 differential positive (+) input
17	IN_M4	AI	HiZ	ADC Channel 4 differential negative (-) input
18	IN_M2	AI	HiZ	ADC Channel 2 differential negative (-) input
19	IN_P2	AI	HiZ	ADC Channel 2 differential positive (+) input
20	AGND_R	Ground	Ground	Analog Ground
21	AVCC_R	Power	Power	ADC reference voltage (internally generated) or 3.3V Supply
22	VREF_R	Power	Power	Low Noise reference for on-chip regulator, right side
23	CHIP_EN	I/O	HiZ	Active-high chip enable.
24	GPIO9	I/O	HiZ	General I/O w/extended functions, including INT (INTERRUPT)
25	MOSI/SDA	I/O	HiZ	Serial communication, MOSI(SPI), SDA(I2C), controlled by MODE
26	SCLK/SCL	I/O	HiZ	Serial Clock, SCLK (SPI), SCL (I2C), controlled by MODE
27	SS/ADDR1	I/O	HiZ	I2C Address Select 1, controller by MODE
28	MISO/ADDR2	I/O	HiZ	I2C Address Select 2, controlled by MODE
29	DVDD	Power	Power	Digital Core Supply. Internally Supplied
30	AVDD	Power	Power	3.3V, I/O Supply
31	DGND	Ground	Ground	Digital Core Ground
32	GPIO8	I/O	HiZ	General I/O w/extended functions, Serial Data 8
33	GPIO7	I/O	HiZ	General I/O w/extended functions, Serial Data 7
34	GPIO6	I/O	HiZ	General I/O w/extended functions, Serial Data 6
35	GPIO5	I/O	HiZ	General I/O w/extended functions, Serial Data 5
36	GPIO4	I/O	HiZ	General I/O w/extended functions, Serial Data 4
37	GPIO3	I/O	HiZ	General I/O w/extended functions, Serial Data 3
38	GPIO2	I/O	HiZ	General I/O w/extended functions, Serial Data 2
39	GPIO1	I/O	HiZ	General I/O w/extended functions, Serial Data 1
40	RT1	I	HiZ	Reserved. Must be connected to DGND for normal operation.
41*	Package PAD	-	-	Not electrically connected, used for heat dissipation

* Note: Pin 41 is the package pad.

ES9840 Product Brief



Ordering Information

Part Number	Description	Package
ES9840Q	SABRE 32-bit 4 Channel ADC with built in digital filters, ASPs, and multiple output formats	5mm x 5mm 40 QFN

Revision History

Current Version 0.3

Rev.	Date	Notes
0.2.1	Oct 30, 2020	Initial Release
0.2.2	Nov 2, 2020	Updates
0.2.3	Nov 17, 2020	Corrected pin names in pinout, added 768kHz sampling, changed power consumption
0.2.4	Dec 4, 2020	Updated performance data
0.2.5	Dec 10, 2020	Changed I2C or SPI interface control description on cover page
0.3	Mar 18, 2021	Minor corrections

No part of this publication may be reproduced, stored in a retrieval system, transmitted, or translated in any form or by any means, electronic, mechanical, manual, optical, or otherwise, without the prior written permission of ESS Technology, Inc. ESS Technology, Inc. makes no representations or warranties regarding the content of this document. All specifications are subject to change without prior notice. ESS Technology, Inc. assumes no responsibility for any errors contained herein. U.S. patents pending.